



TECH EXCHANGE

SUBJECT: 2019~2020 GOLF CAR AND UTILITY MODELS - Starting Primary ID Numbers and Locations

©2020 YAMAHA GOLF-CAR COMPANY

The Primary ID (PID) is used by Yamaha to determine the year, true model, and model code of a vehicle. The PID is in a particular location on each model. Use the chart below and the illustrations that follow to correctly identify a Yamaha golf car or utility vehicle.

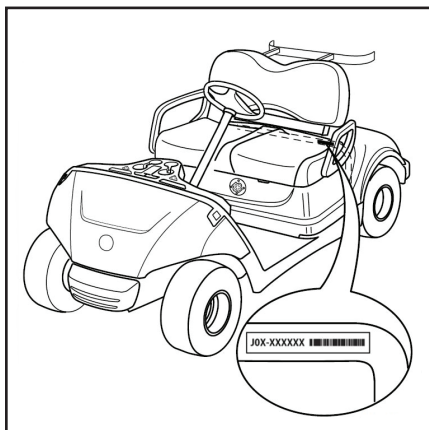
Model Year	True Model	Model Code	Starting PID Number
Drive²® (DR2A/E) Fleet			
DR2A Fleet			
2019	DR2AS*	J0A3	J0A-0200101
DR2A Fleet EFI (AFI)			
2020	DR2AT*AFI	J0K2	J0K-0100101
2019	DR2AS*AFI	J0K1	J0K-0000101
DR2A Fleet EFI (Quietech®)			
2020	DR2AT*FI	J0B4	J0B-0300101
2019	DR2AS*FI	J0B3	J0B-0200101
DR2E Fleet DC			
2020	DR2ET*	J0C4	J0C-0300101
2019	DR2ES*	J0C3	J0C-0200101
DR2E Fleet AC (PowerTech AC™)			
2020	DR2ET*	J0J4	J0J-0300101
2019	DR2ES*	J0J3	J0J-0200101
Drive² (DR2A/E) PTV			
DR2A PTV EFI (Quietech)			
2020	DR2AT*PT	J0D4	J0D-0300101
2019	DR2AS*PT	J0D3	J0D-0200101
DR2E PTV AC (PowerTech AC)			
2020	DR2ET*AP	J0E4	J0E-0300101
2019	DR2ES*AP	J0E3	J0E-0200101
Drive² (DR2A/E) Concierge® 4			
DR2A Concierge 4 EFI			
2020	DR2AT*4P	J2B4	J0D-0300629
2019	DR2AS*4P	J2B3	J0D-0200103
DR2E Concierge 4 AC			
2020	DR2ET*4PAC	J2D4	J0E-0300130
2019	DR2ES*4PAC	J2D3	J0E-0200156

* An asterisk (*) in the true model name indicates the position of variable characters that designate specific destination- and color-combination codes for that model.

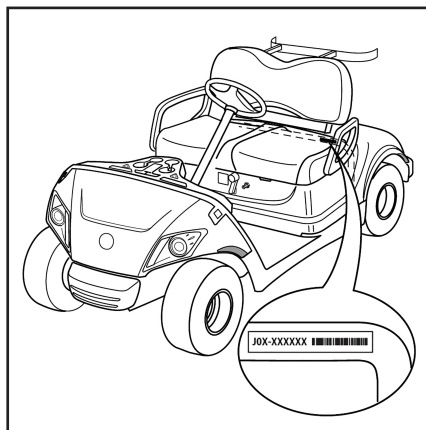
Model Year	True Model	Model Code	Starting PID Number
Drive² (DR2A/E) Concierge 6			
DR2A Concierge 6 EFI			
2020	DR2AT*6P	J2A4	J0D-0300185
2019	DR2AS*6P	J2A3	J0D-0200175
DR2E Concierge 6 AC			
2020	DR2ET*6PAC	J2C4	J0E-0300134
2019	DR2ES*6PAC	J2C3	J0E-0200175
Drive² (DR2A/E) Adventurer[®] Sport 2+2			
DR2A Adventurer Sport 2+2 EFI			
2020	DR2AT*SP	J2G4	J0D-0300368
2019	DR2AS*SP	J2G3	J0D-0200112
DR2A Adventurer Sport 2+2 AC			
2020	DR2ET*SPAC	J2H4	J0E-0300311
2019	DR2ES*SPAC	J2H3	J0E-0200221
Drive² (DR2A/E) Adventurer Super-Hauler			
DR2A Super-Hauler EFI			
2020	DR2AT*SHLR	J2E4	J0D-0300783
2019	DR2AS*SHLR	J2E3	J0D-0200282
DR2E Super-Hauler AC			
2020	DR2ET*SHLRAC	J2F4	J0E-0300445
2019	DR2ES*SHLRAC	J2F3	J0E-0200279
UMAX[®] One (YU1A/E)			
UMAX One EFI			
2020	YU1AT*	J0F2	J0F-0100101
2019	YU1AS*	J0F1	J0F-0000101
UMAX One Rally[™] EFI			
2020	YU1AT*SP1	J0L2	J0L-0100101
2019	YU1AS*SP1	J0L1	J0L-0000101
UMAX Two (YU2A/E)			
UMAX Two EFI			
2020	YU2AT*	J0G2	J0G-0100101
2019	YU2AS*	J0G1	J0G-0000101
UMAX Two Rally[™] EFI			
2020	YU2AT*SP1	J0M2	J0M-0100101
2019	YU2AS*SP1	J0M1	J0M-0000101
UMAX Two AC			
2020	YU2ET*	J0H2	J0H-0100101
2019	YU2ES*	J0H1	J0H-0000101
UMAX Two Rally AC			
2020	YU2ET*SP1	J0N2	J0N-0100101
2019	YU2ES*SP1	J0N1	J0N-0000101

Model Year	True Model	Model Code	Starting PID Number
UMAX Rally 2+2™ (YU2A/E)			
UMAX Rally 2+2 EFI			
2020	YU2AT*SP2	J0P2	J0P-0100101
2019	YU2AS*SP2	J0P1	J0P-0000101
UMAX Rally 2+2 AC			
2020	YU2ET*SP2	J0R2	J0R-0100101
2019	YU2ES*SP2	J0R1	J0R-0000101
UMAX Bistro® EFI (YU2A)			
2020	YU2AT*BEV1/2	J3D2	J0G-0100101
2019	YU2AS*BEV1/2	J3D1	J0G-0000101

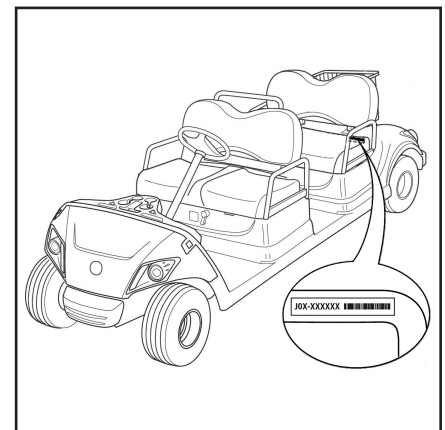
YAMAHA GOLF CAR AND UTILITY VEHICLE PID LOCATION



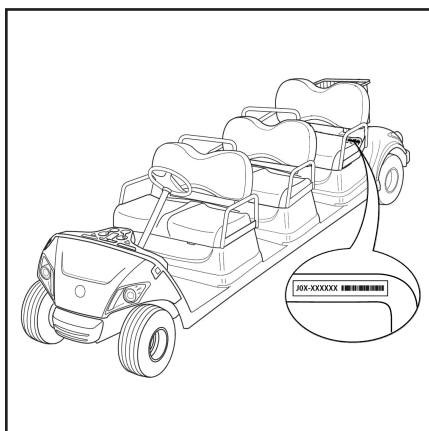
Drive² Fleet
Carb/EFI/AC/DC
J0A3
J0K1, J0K2
J0B3, J0B4
J0C3, J0C4
J0J4, J0J3



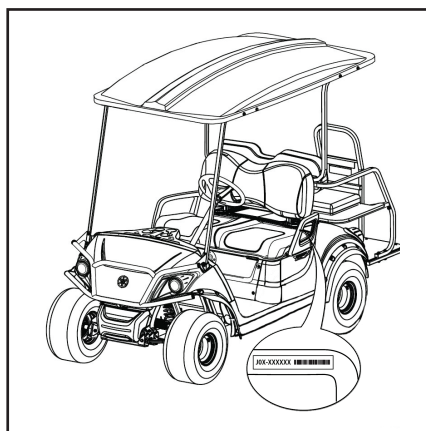
Drive² PTV
EFI/AC
J0D3, J0D4
J0E3, J0E4



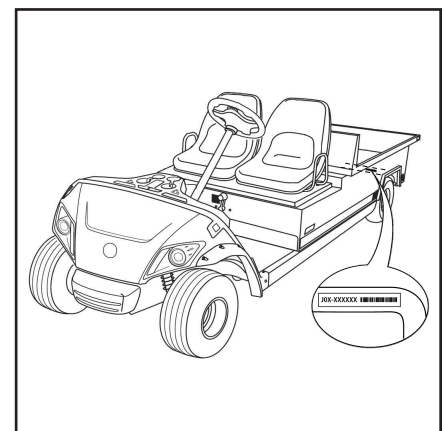
Drive² Concierge 4
EFI/AC
J2B3, J2B4
J2D3, J2D4



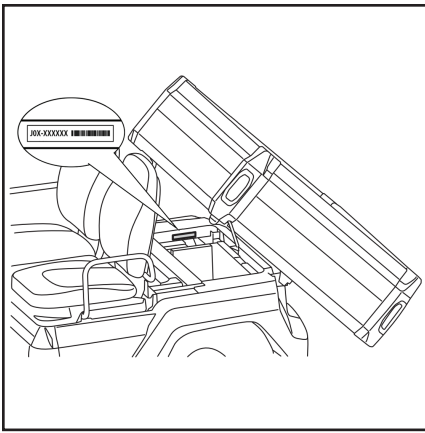
Drive² Concierge 6
EFI/AC
J2A3, J2A4
J2C3, J2C4



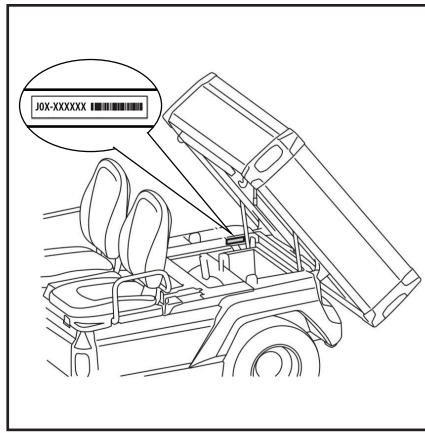
Drive² Adventurer Sport 2+2
EFI/AC
J2G3, J2G4
J2H3, J2H4



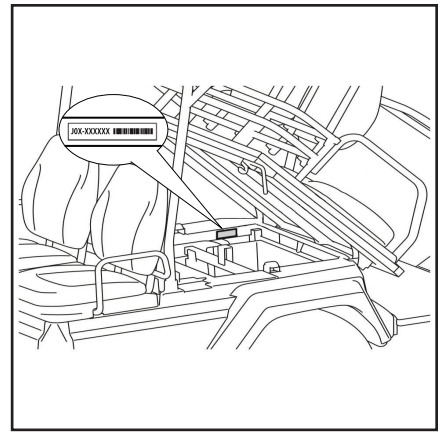
Drive² Adventurer
Super-Hauler
EFI/AC
J2E3, J2E4
J2F3, J2F4



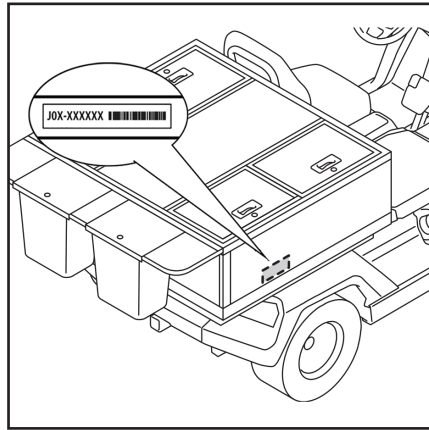
UMAX One/Rally
EFI
J0F1, J0F2
J0L1, J0L2



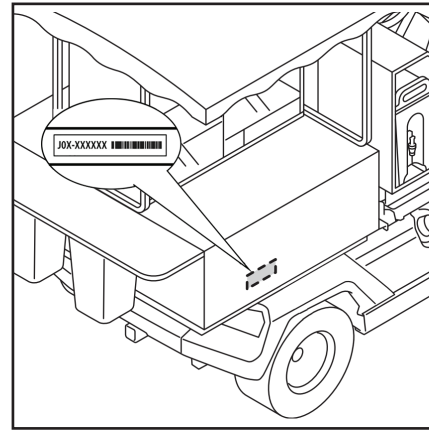
UMAX Two/Rally
EFI/AC
J0G1, J0G2
J0M1, J0M2
J0H1, J0H2
J0N1, J0N2



UMAX Rally 2+2
EFI/AC
J0P1, J0P2
J0R1, J0R2



UMAX Bistro Standard
EFI
J3D1, J3D2



UMAX Bistro Deluxe
EFI
J3D1, J3D2

If you have any questions about the contents of this Tech Exchange, contact your Regional Technical Advisor (RTA).

Tech Exchanges Are for Information Only and Do Not Provide Authorization for Warranty Coverage.